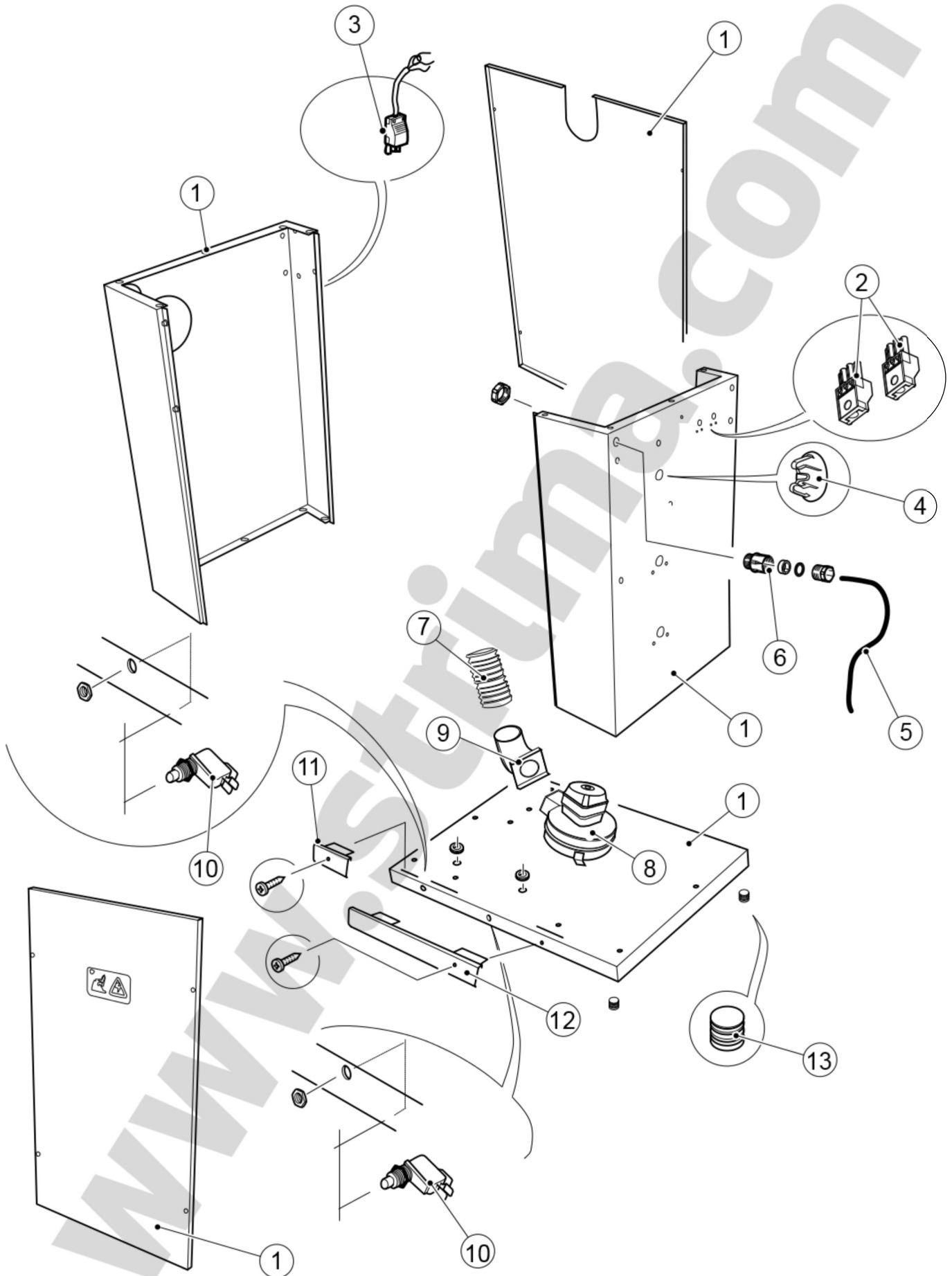


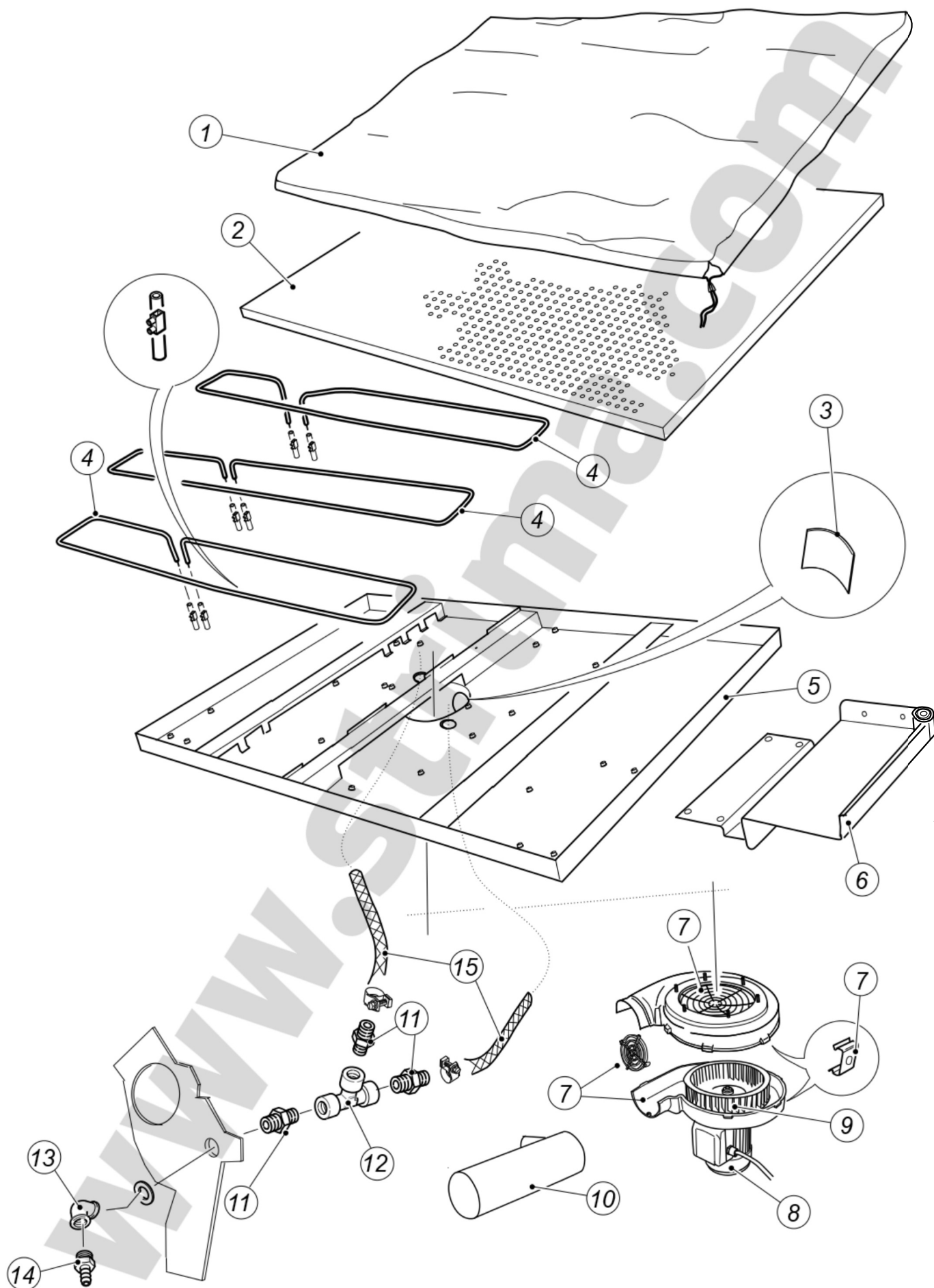
POS.	Q.TY	CODE	DESCRIPTION
1	1		Switchboard panel
2	1	21067	Thermostat 120° C for ironing board
3	1		Terminal board
4	4		Luminous switches 16 A
5	3		Pilot lamps
6	1		Terminal board
7	1		Contactore 25 A



Urano Maxi Vap



POS.	Q.TY	CODE	DESCRIPTION
1	1		Frame
2	2	20825	Iron sockets
3	1		Arm socket
4	3		Cover plates
5	1		Electric cable
6	1		Rubber ring for wire
7	1		Rubber pipe
8	1		Motor
9	1		
10	2		Micro switches for pedal
11	1	21009	Short pedal
12	1		Long pedal
13	4		Rubber stoppers

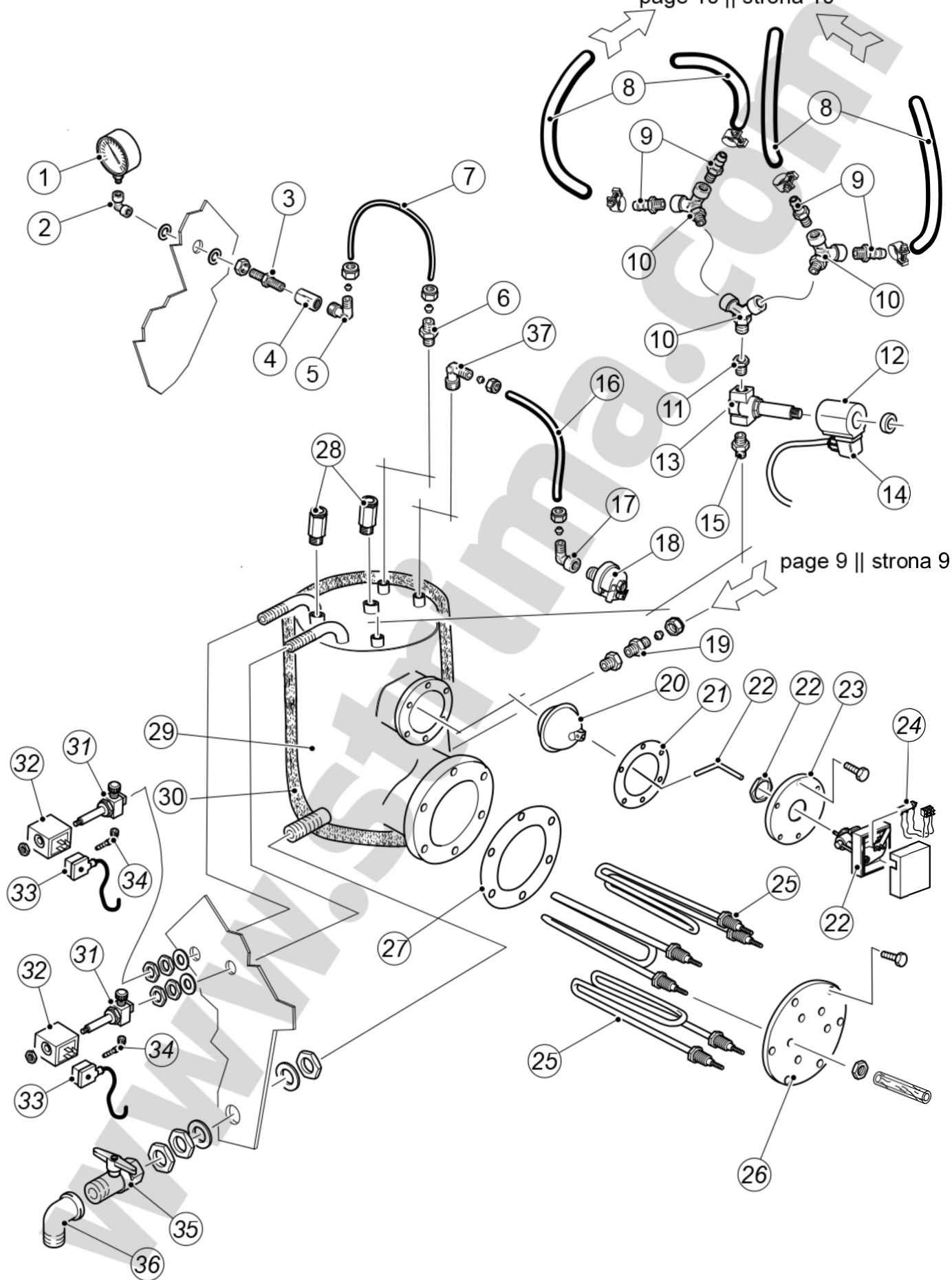


Urano Maxi Vap

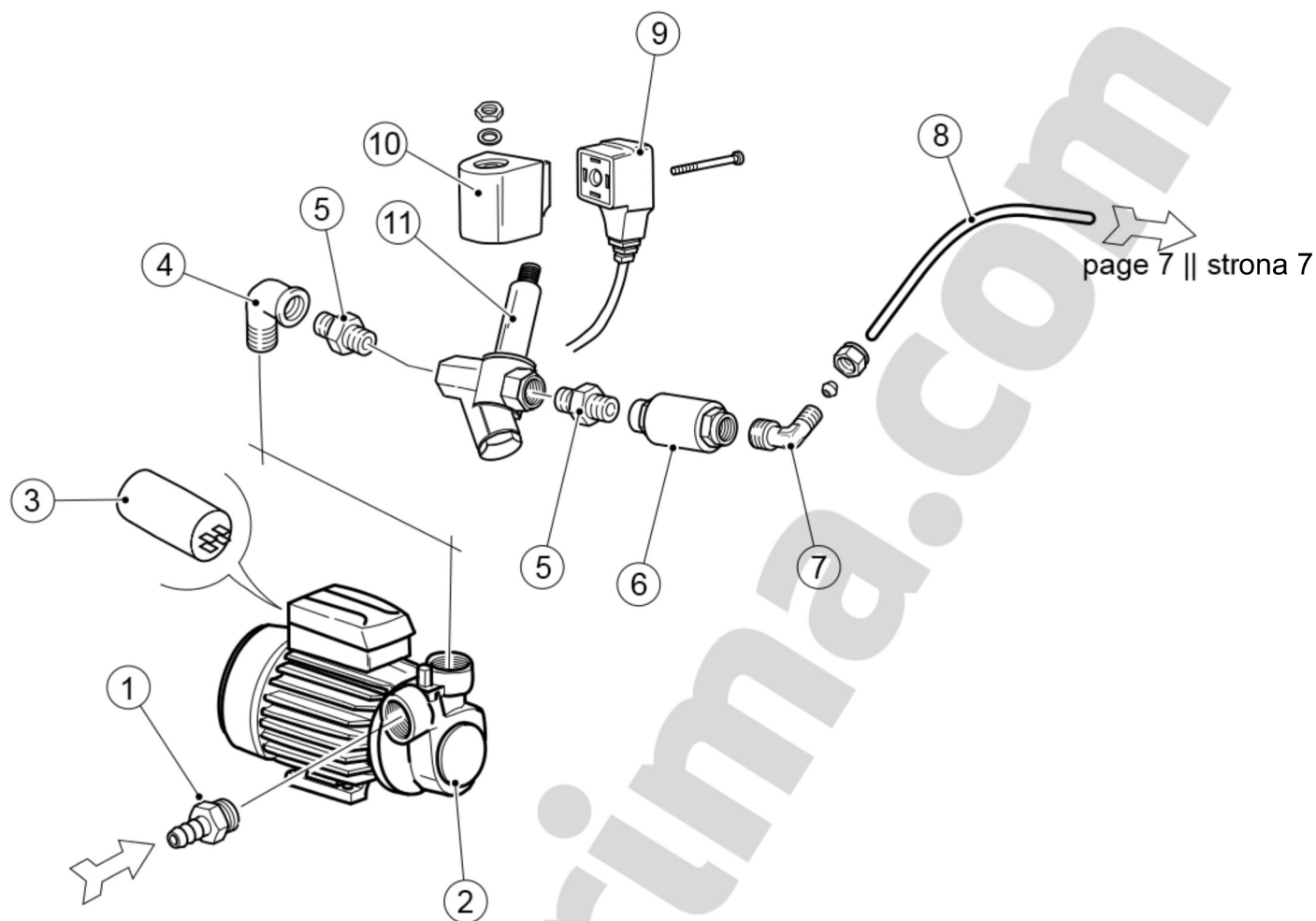


POS.	Q.TY	CODE	DESCRIPTION
1	1	BATTISTELLA COVER URANO MAXI	Board prontotop padding
2	1		Punched ironing board
3	2		Cover plate for ironing arm hole
4	3	21020	Board resistances 550 W
5	1		Frame
6	1		Iron rest
7	1		Fan cover
8	1		Aspirator 220 V.
9	1		Aluminium motor fan
10	1		Pipe
11	3		Connection joint 1/2"
12	1		T-joint 1/2"
13	1		Elbow joint 1/2"
14	1		Hose holder 1/2"
15	2		Condensation exhaust pipes

page 10 || strona 10

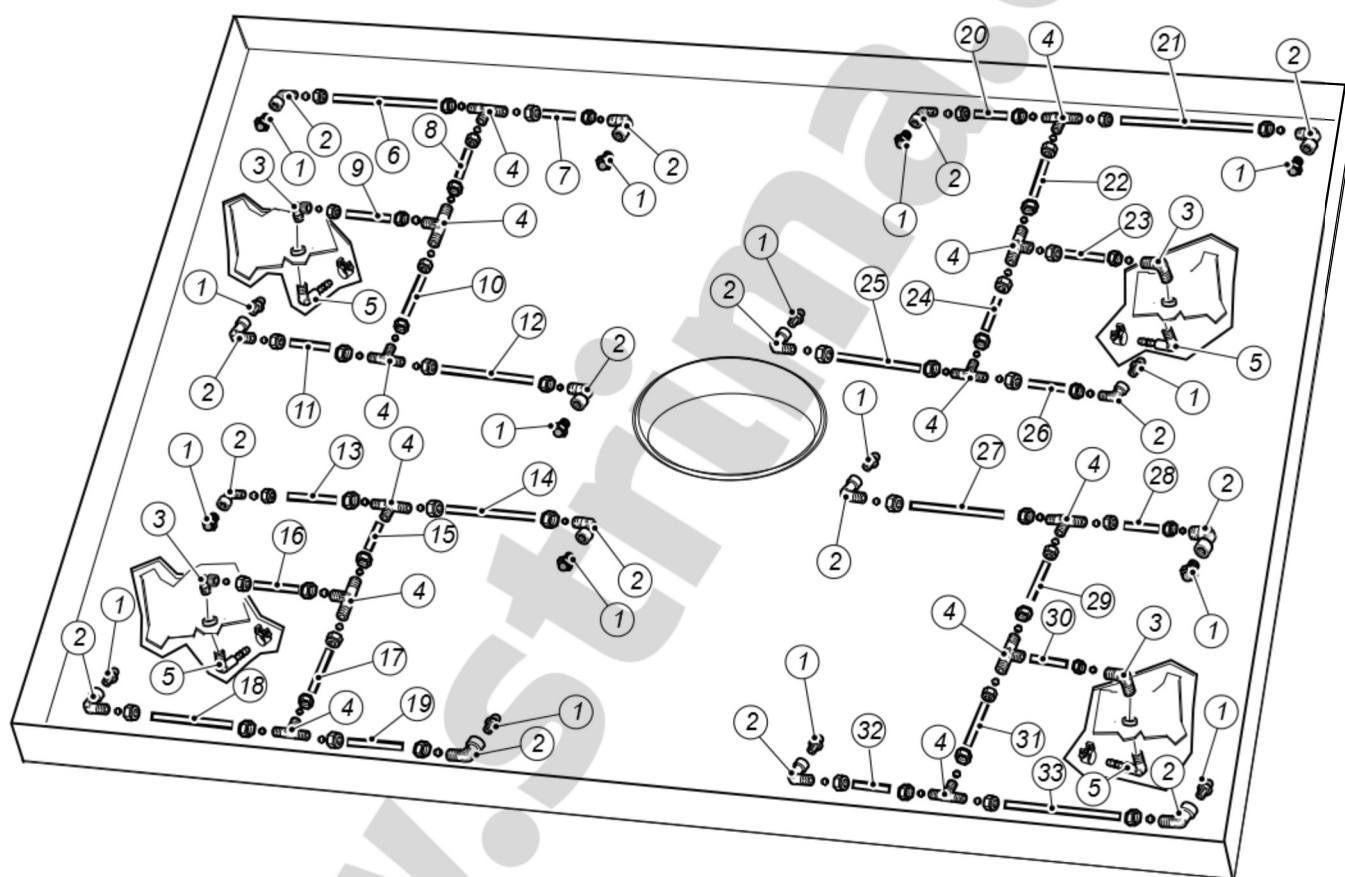


POS.	Q.TY	CODE	DESCRIPTION
1	1		Manometer 1/4"
2	1		Elbow joint 1/4"
3	1		Connection joint 1/4"
4	1		
5	1		Curved joint 1/4"
6	1		Joint 1/4"
7	1		Copper pipe Ø6
8	4		Silicone pipes
9	4		Hose holders 1/4"
10	3		Y-joints 1/4"
11	1		Reduction joint 3/8"-1/4"
12	1		Coil for steam solenoid valve 3/8"
13	1		Group for steam solenoid valve 3/8"
14	1		Connector for steam solenoid valve 3/8"
15	1		Connection joint 3/8"
16	1		Copper pipe Ø8
17	1		Curved joints 1/4"
18	1		Pressure switch 1/4" 9 bar
19	1		Joint 3/8"
20	1		Sphere for level regulator
21	1		Gasket for flange of level regulator
22	1		Level regulator
23	1		Flange for level regulator
24	1		Phial for level regulator
25	3	21025	Boiler resistances
26	1		Flange for resistances
27	1		Gasket for flange resistances
28	2		Safety valves 1/2"
29	1		Boiler
30	1		Boiler cover
31	2		Groups for solenoid valve 1/4"
32	2		Coils for solenoid valve 1/4"
33	2		Connectors for solenoid valve 1/4"
34	2		Hose holder 1/4"
35	1		Exhaust tap 1/2"
36	1		Elbow joint 1/2"
37	1		Curved joint 1/4"



page 7 || strona 7

POS.	Q.TY	CODE	DESCRIPTION
1	1		Hose holder 1/2"
2	1	21003	Electro-pump PQM-81
3	1		Capacitor
4	1		Elbow joints 3/8"
5	1		Connection joints 3/8"-1/4"
6	1		Check valve 3/8"
7	1		Curved joint 3/8"
8	1		Copper tube for water feed
9	1		Connector for water valve
10	1		Coil for water valve
11	1		Water valve group



POS.	Q.TY	CODE	DESCRIPTION
1	16		Steam nozzles 1/8"
2	16		Curved joints 1/8"
3	4		Curved joints 1/8"
4	12		T-joints
5	4		Curved hose holder 1/8"
6	1		Copper pipe Ø8 cm.26
7	1		Copper pipe Ø8 cm.5
8	1		Copper pipe Ø8 cm.8
9	1		Copper pipe Ø8 cm.9
10	1		Copper pipe Ø8 cm.11
11	1		Copper pipe Ø8 cm.7
12	1		Copper pipe Ø8 cm.11
13	1		Copper pipe Ø8 cm.7
14	1		Copper pipe Ø8 cm.11
15	1		Copper pipe Ø8 cm.7
16	1		Copper pipe Ø8 cm.9
17	1		Copper pipe Ø8 cm.15
18	1		Copper pipe Ø8 cm.15
19	1		Copper pipe Ø8 cm.7
20	1		Copper pipe Ø8 cm.4
21	1		Copper pipe Ø8 cm.26
22	1		Copper pipe Ø8 cm.8
23	1		Copper pipe Ø8 cm.8
24	1		Copper pipe Ø8 cm.11
25	1		Copper pipe Ø8 cm.11
26	1		Copper pipe Ø8 cm.4
27	1		Copper pipe Ø8 cm.11
28	1		Copper pipe Ø8 cm.4
29	1		Copper pipe Ø8 cm.8
30	1		Copper pipe Ø8 cm.8
31	1		Copper pipe Ø8 cm.11
32	1		Copper pipe Ø8 cm.4
33	1		Copper pipe Ø8 cm.20